

## Brezžični termostat / Wireless thermostat

 **SASWELL SAS816WHB-0-DF**



Uporabniški priročnik  
User manual

# SI / Uporabniški priročnik

Termostat Saswell SAS816WHB-0-DF je preprost brezžični RF termostat z analogno nastavitvijo in digitalnim prikazom temperature. Uporablja se lahko v kombinaciji s sprejemnikom Saswell SCU209DE, SCU210DE ter 2010DE.

Navodila za uporabo in vzdrževanje so del splošnih prodajnih pogojev. Pridržujemo si pravico do sprememb detajlov, tehnologije in izvedbe. Garancija velja le skupaj z računom in podrobnim opisom napake. Dopuščamo možnost napak v tekstu.



## Varovanje narave

Elektronske naprave in baterije po koncu življenjske dobe ne odlagajte med mešane komunalne odpadke, uporabite zbirna mesta ločenih odpadkov. S pravilno odstranitvijo izdelka boste preprečili negativne vplive na človeško zdravje in okolje. Reciklaža materialov prispeva varstvu naravnih virov. Več informacij o reciklaži tega izdelka Vam ponudijo upravne enote, organizacije za obdelavo gospodinjskih odpadkov ali prodajno mesto, kjer ste izdelek kupili.

v1

### **Pomembna opozorila pred prvo uporabo, namestitvijo in vzdrževanje naprave:**

Pred prvo uporabo pozorno preberite navodila za uporabo ne samo termostata, ampak tudi peči ali klimatske naprave.

- Pred inštalacijo termostata izklopite dovod električnega toka!
- Priporočamo, da inštalacijo opravi kvalificiran delavec!
- Električni krog mora biti zavarovan z varovalko, ki ne presega tokovne obremenitve ožičenja (max 16A).
- Pri montaži upoštevajte vse varnostne predpise
- Izdelka ne izpostavljajte neposredni sončni svetlobi, ekstremnemu mrazu, vlagi in naglim spremembam temperature. To bi znižalo natančnost merjenja temperature
- Izdelka ne nameščajte na mesta, ki so nagnjena k vibracijam in pretresom – to lahko povzroči poškodbe
- Izdelka ne izpostavljajte prekomernemu tlaku, sunkom, prahu, visokim temperaturam ali vlagi saj le te lahko povzročijo poškodbe na kateri izmed funkcij izdelka, krajšo energetsko vzdržljivost, poškodbo baterij in deformacije plastičnih delov
- Izdelka ne izpostavljajte dežju ali vlagi, kapljajoči in brizgajoči vodi
- Na izdelek ne postavljajte virov ognja, npr. prižgane svečke ipd.
- Izdelka ne postavljajte na mesta, kjer ni zadostnega kroženja zraka
- V prezračevalne odprtine ne vtikajte nobenih predmetov
- Ne posegajte v notranjo električno napeljavo izdelka – lahko ga poškodujete in s tem prekinite veljavnost garancije. Izdelek sme popravljati le usposobljen strokovnjak
- Za čiščenje uporabljajte zmerno navlaženo blago krpo. Ne uporabljajte raztopin ali čistilnih izdelkov – lahko poškodujejo plastične dele in električno napeljavo
- Izdelka ne potaplajte v vodo ali v druge tekočine
- Pri poškodbah ali napaki izdelka ne popravljajte sami. Predajte ga v popravilo prodajalni, kjer ste ga kupili
- Izdelka ne smejo uporabljati osebe (vključno otrok), ki jih fizična, čutna ali mentalna nesposobnost ali pomanjkanje izkušenj, in znanj ovirajo pri varni uporabi naprave, če pri tem ne bodo nadzorovane, ali če jih o uporabi naprave ni poučila oseba, ki je odgovorna za njihovo varnost
- Nužen je nadzor nad otroki, da bo zagotovljeno, da se ne bodo z napravo igrali.

Za izdelek je bila izdana izjava o skladnosti.

Ta in ostala dokumentacija je dostopna na spletni strani [www.sen-controls.eu](http://www.sen-controls.eu).

Proizvajalec izdelka je SASWELL CONTROLS (HONGKONG) LTD.

Uvoznik in distributer za Saswell je Sen Controls d.o.o., Belokranjska cesta 29, 8340 Črnomelj, Slovenija

## Lastnosti

- Preprosta uporaba
- Neodvisnost od žične povezave
- Povezljivost RF dosega do 100 metrov
- LCD ekran za prikaz temperature
- Možnost vklopa dnevne, nočne ali ročne nastavitve temperature
- Opozorilo za zamenjavo baterije
- Samodejna zaščita proti zmrzovanju
- Stenska montaža – nadometna ali podometna na standardno dozo 60mm.

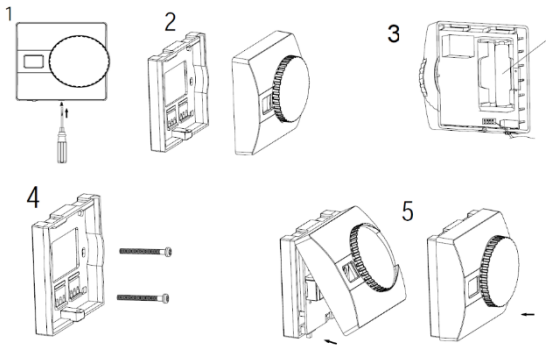
## Specifikacije

- Napajanje: bateriji 2xAA LR6 1.5V
- Nastavitev temperature: od 5°C do 30°C
- Prikaz temperature: od 5°C do 30°C
- Natančnost:  $\pm 1^{\circ}\text{C}$
- Temperatura okolice delovanja: od 0°C do 50°C
- Skladiščna temperatura: od -10°C do 60°C
- Dimenzije: 86x86x32mm

## Opis ter montaža termostata

### Namestitev in potek montaže

1. Odstranite vijak s podnožja termostata. Previdno privzdignite sprednji pokrov iz ohišja. Na silo ne poskušajte dvigniti pokrova, saj lahko povzroči poškodbe na ohišju ali termostatu samem. Bodite previdni, da se ne izgubi notranja matica ohišja, saj ni fiksna, če vijak popolnoma odvijate.
2. Termostat bi sedaj morali imeti ločen na zadnjo in sprednjo stran.
3. V predalček za baterije namestite dve novi alkalni bateriji AA LR6 1.5V. Poskrbite za pravilno vstavitvev baterij v predelku za baterije.
4. Nato pri vijačite zadnji del ohišja na steno in ga fiksirajte. Pazite, da bo spodnji del ohišja pred vijačenjem pravilno obrnjen (»matica« mora biti spodaj).
5. Nato previdno spojite oba dela ohišja skupaj. Namestite sprednji pokrov z odstranjenim vijakom za montažo.



Termostat je tako nameščen in pripravljen za uporabo.

## Uporaba termostata

### Ekran (glej sliko na desni za razlago)

Na ekranu je vedno prikazana trenutna temperatura prostora (1). Ko je prikazana temperatura prostora, je takrat tudi prikazan simbol 2. Ko obračate gumb za nastavitve temperature, se pa na ekranu izpiše in utripa trenutno izbrana temperatura (simbol 1). Na ekranu je tudi možen prikaz dnevnega / nočnega načina\*, opozorilo za slabo baterijo (simbol 3), simbol za ogrevanje (simbol 4), simbol za hlajenje (simbol 5)\* ter enota temperature (simbol 6).

*Prikaz na ekranu:*



### Nastavitev temperature

Z obračanjem velikega gumba preprosto nastavite željeno temperaturo. Ta se vam sproti izpisuje na LCD ekranu.

### Delovanje oz. potreba po ogrevanju / hlajenju\*

Ko temperatura prostora pade pod željeno ogrevalno temperaturo, se na ekranu prikaže simbol plamenov na desni spodnji strani. Če je termostat v načinu hlajenja in ko je potreba po hlajenju, se pa prikaže simbol snežinke.

### Slabe baterije

Ko so baterije že skoraj da iztrošene, se na ekranu prikaže simbol skoraj prazne baterije. Priporočamo čimprejšnjo zamenjavo.

### ON/OFF zunanje stikalo na ohišju

Če je stikalo nastavljeno na ON pomeni, da je termostat vključen. Če je stikalno nastavljeno na OFF pomeni, da je termostat izklopljen in v pripravljenosti.

\* Velja samo za določene modele 816

## Možne napake na termostatu

Če se zgodi, da pride do okvare s termostatom, vam le ta tudi to izpiše na LCD ekranu.

Če se izpiše **E1** – Senzor v termostatu je v kratkem stiku. Termostat bo prenehal z delovanjem.

Če se izpiše **E2** – Senzor v termostatu je v okvari. Termostat bo prenehal z delovanjem.

Če se izpiše **Er2** – Težava v povezavi s sprejemnikom. Preverite obe napravi in v skrajnem primeru ponovite parjenje.

## Temperaturni alarm

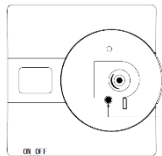
Če temperatura v prostoru naraste preko 30°C, se na ekranu termostata izpiše **HI**. V načinu ogrevanja, se le to izklopi.

Če temperatura v prostoru pade pod 5°C, se na ekranu termostata izpiše **LO**. V načinu hlajenja, se le ta izklopi.

## Povezava termostata in sprejemnika

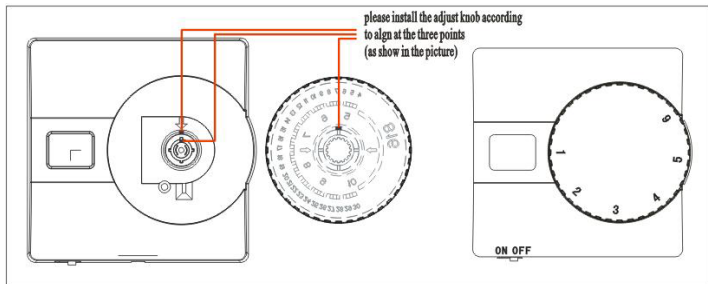
Enoti oddajnika (termostata oz. sobne enote) in sprejemnika sta privzeto povezani (sparjeni). V primeru da nista, sledite naslednjem postopku:

1. Preberite navodila sprejemnika za vzpostavitev povezave oz. parjenje in ga pustite v načinu povezovanja.
2. Termostat izključite, da na ekranu piše OF. Na termostatu previdno odstranite velik gumb za nastavitve temperature tako, da ga na vzdignete in povlečete. Ko je gumb odstranjen, boste pod mestom gumba opazili črno tipko za povezavo. Ko je sprejemnik pripravljen na parjenje, jo držite pritisnjeno za 3 sekunde. (glej sliko na desni).
3. Napravi se bi morali seznaniti in spariti. Na ekranu se bi moralo izpisati "1".



Postopek povezave je končan. Če je bil postopek neuspešen, ponovite postopek od začetka ali si pa poiščite pomoč na naši spletni strani.

Ko ste opravili postopek parjenja, vrnite gumb za nastavitve temperature na svojo mesto in sicer, bodite previdni, da ga nastavite pravilno. Za pomoč si sliko spodaj. Glejte, da se usmerite oz. puščice ujemajo.





# EN / *Instruction manual*

Thermostat Saswell SAS816WHB-0-DF is a simple wireless thermostat with analogue temperature setting and a digital display. It can be used with the combination of Saswell SCU209DE, SCU210DE or 2010DE

The instructions for use and maintenance are part of the general terms and conditions of sale. We reserve the right to change the details, technology and performance. The guarantee is valid only with the original invoice. We allow the possibility of errors in the text.



## **Environment protection**

Do not place electronic devices and batteries after the end of their life in mixed municipal waste, use collection points of separate waste. By properly removing the product, you will prevent negative effects on human health and the environment. Recycling of materials contributes to the protection of natural resources. More information on the recycling of this product is offered to you by administrative units, household waste treatment organizations or the point of sale where you purchased the product.

## **Important notes before first use, installation and maintenance:**

Before use, carefully read the manual not only for the thermostat, but also for the heating device (heat pump, etc.) • Turn off the power supply before installing the thermostat! • We recommend that the installation is done by a qualified electrician • the electrical circuit must be secured with a fuse that does not exceed the current load of the wiring (max 16 A) • Please note all safety instructions before installing • Do not expose the product to direct sunlight, extreme cold, humidity and sudden temperature changes. This would reduce the accuracy of the temperature measurement • Do not place the product in places that are prone to vibrations and shocks - this can cause damage • Do not expose the product to excessive pressure, shock, dust, high temperatures or moisture, as these can cause damage to one of the functions product, shorter energy endurance, damage to batteries, and deformation of plastic parts. • Do not expose the product to rain or moisture, dripping or spraying water. • Do not place any sources of fire on the product, for example, spark plugs etc. • Do not place the product in places where there is insufficient air circulation. • Do not insert any objects into the ventilation openings. • Do not interfere with the internal electrical wiring of the product. It may be damaged and therefore terminate the warranty. The product must only be repaired by a trained specialist. • Use a moderately moistened cloth for cleaning. Do not use solutions or cleaning products - may damage plastic parts and electrical wiring • Do not immerse the product in water or other liquids. • Do not repair it yourself if the product is damaged or defective. Put it in the repair shop where you bought it • The product should not be used by a person (including children) by physical, sensory or mental disability or lack of experience and knowledge impeded by the safe use of the device if they are not controlled, or if they were not informed by the person responsible for their safety about the use of the device • Children's control is necessary to ensure that they do not play with the device.

Declaration of conformity has been issued for the product. This and other documentation is available on the website [www.sen-controls.eu](http://www.sen-controls.eu).

The manufacturer of this product is SASWELL CONTROLS (HONGKONG) LTD.

Importer and distributor for Saswell is Sen Controls d.o.o., Belokranjska cesta 29, 8340 Črnomelj, Slovenia

## Features

- Independence from wire connectivity
- Simple to use
- Connectivity between the transmitter and the receiver via wireless radio frequency RF up to a range of 100 meters
- Temperature displayed on LCD screen
- On display low battery warning
- Automatic anti-freeze protection
- Onwall or inwall installation (standard socket 60mm)

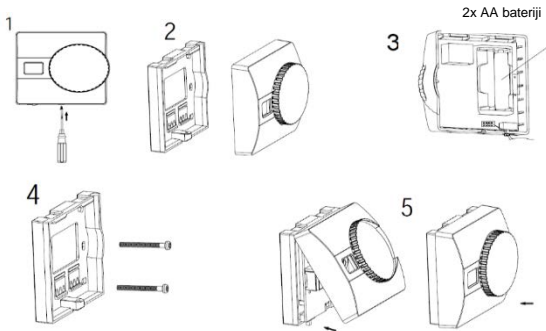
## Specifications

- Power supply: 2xAA LR6 1.5V batteries
- Temperature setting range: from 5°C to 30°C
- Temperature display: from 5°C to 30°C
- Accuracy:  $\pm 1^{\circ}\text{C}$
- Ambient temperature: from 0°C to 50°C
- Warehouse temperature: from -10°C to 60°C
- Dimensions: 86x86x32mm

## Description and thermostat installation

### Installation of the thermostat

1. Remove the screw, located below the thermostat. Carefully lift up the front part of the housing. Don't try it with too much force as you may damage the housing or the thermostat itself. Also be careful not to lose the small nut from the screw, if you completely unscrew it.
2. Thermostat should now be separated on two parts – front and back side.
3. In the battery compartment install two new AA LR6 1.5V alkaline batteries. Make sure you place them with correct polarity.
4. Then screw the back part of the thermostat on the desired place on the wall. Make sure that the housing is rotated correctly (the "nut" should be looking downwards).
5. Afterwards place the front part of the housing on the back, the one you've installed on the wall. Fix the housing with the removed screw.



Thermostat is now installed and ready for use.

## Using the thermostat

### Display (See the picture on the right)

The current room temperature (1) is always displayed on the screen. With that, a small house symbol is also displayed (2). When you turn the button to change the temperature, the small symbol (2) disappears and now you're setting the temperature which is also blinking (1). The thermostat also displays which heating mode is currently selected (NSB, day or night)\*, heating symbol if there is a need for heating (4), cooling symbol if there is a need for cooling (5)\* and the temperature unit (6).



**Screen display**

### Setting the temperature

With a simple turn of the button you can easily set the desired temperature. The temperature displays on screen.

### Need for heating / cooling\*

When the room temperatures falls below the desired heating temperature, the thermostat displays a flame symbol (4). That means the thermostat has issued a command for heating. If the thermostat is set for cooling and the temperature falls below the desired, the thermostat displays snowflake symbol (5) and a cooling command is issued\*.

### Worn batteries

When the batteries are almost worn out, the thermostat displays a symbol for low battery (3).

### ON/OFF switch

If the switch on the outside of the housing is set to ON, the thermostat will be turned on. If the switch is turned to OFF, the thermostat is turned off.

*\* Option only available in some 816 models*

## Possible errors on the thermostat

If there is a problem with the thermostat, an error will appear on the display.

Error display: **E1** – Sensor in the thermostat is in short circuit. Thermostat will stop working.

Error display: **E2** – Sensor in the thermostat is defective. Thermostat will stop working.

## Temperature alarm

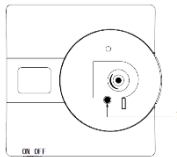
If the room temperature goes above 30°C, the thermostat displays **HI** on the LCD screen. If the thermostat is in heating mode, it will turn off automatically.

If the room temperature falls below 5°C, the thermostat displays **LO** on the LCD screen. If the thermostat is in cooling mode, it will turn off automatically.

## Pairing (connecting) the thermostat and the receiver

The thermostat and the receiver, if they come in a kit, are paired by default. If that is not the case, follow these instructions:

1. Read the instruction manual of the receiver for pairing (connecting).
2. Turn off the thermostat, so that the screen shows **OF**. Remove the big knob on the thermostat as under it is a small black button meant for pairing. Put the receiver in pairing mode, as described in its instructions and now hold the black button on the thermostat for 3 seconds to put the thermostat in pairing mode. See the picture on the right.
3. The devices should now connect and pair. "1" should appear on the LCD screen.



The pairing process is now complete. If the process was unsuccessful, repeat it again from the beginning or seek help from our web page. Now put the button (knob) back on its original place. Use the picture bellow for help. Make sure that the arrows match.

